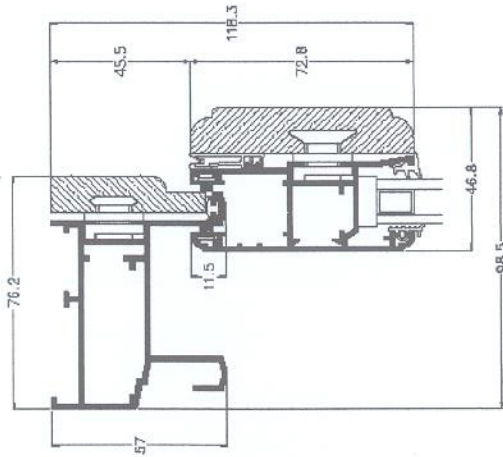


SW75s Series Data sheet

The SW75s product for light sliding windows with a load of up to 80 Kg per window is ideal for the production of particular solutions. It can be used in several combinations with the SW40 and SW50 systems for the most different housing requirements.



Technical characteristics:

Glass application: slide-in system for aluminium wing

Aluminium alloy: 6060 (UNI 3569).

Wood types: oak, ash, cherry, maple

Frame thickness 76.2mm

Wing thickness 46.8mm

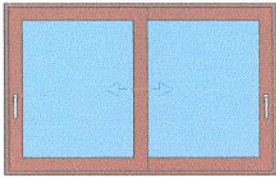
Thermal performance*:

slide two wings Uw 2,7 W/m²K

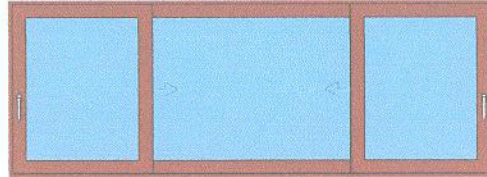
Test:

Thermal (UNI EN 1077-2) Uf 4,43 W/m²K

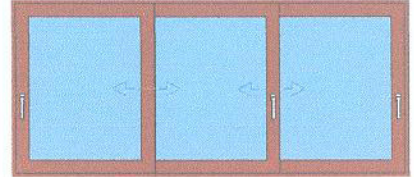
TYPES ACHIEVABLE



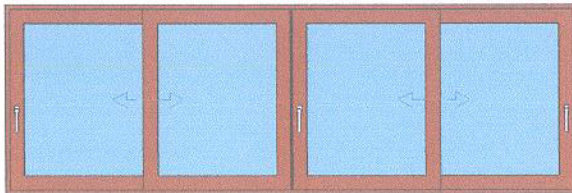
Slide 2 wings on two rails



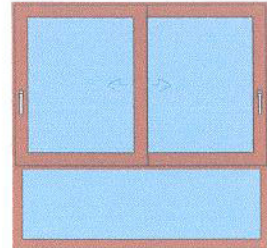
Slide 3 wings on two rails



Slide 3 wings on three rails



Slide 4 wings on two rails



Combination with SW40 and SW50 series

* Calculation done according to UNI EN ISO 10077 -1 on a window 1230 X 1480 with a glass Ug 1,6 W/m²K